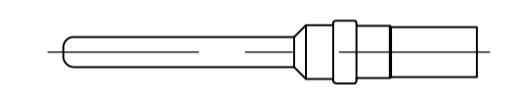
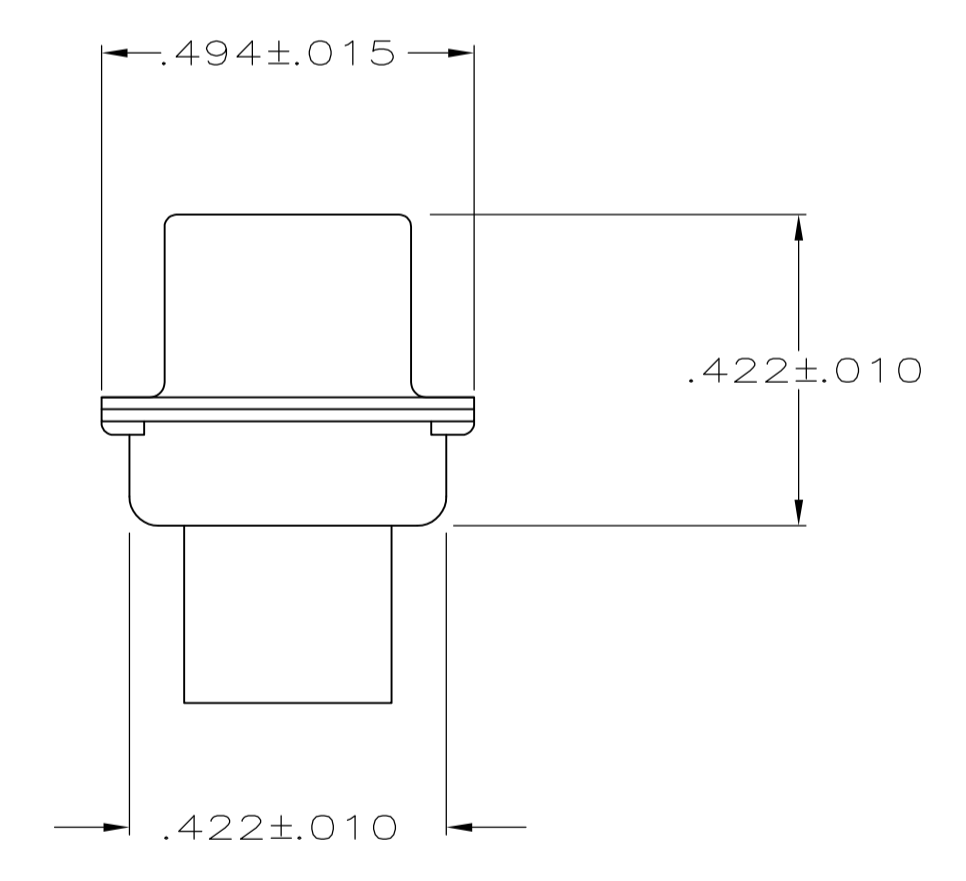
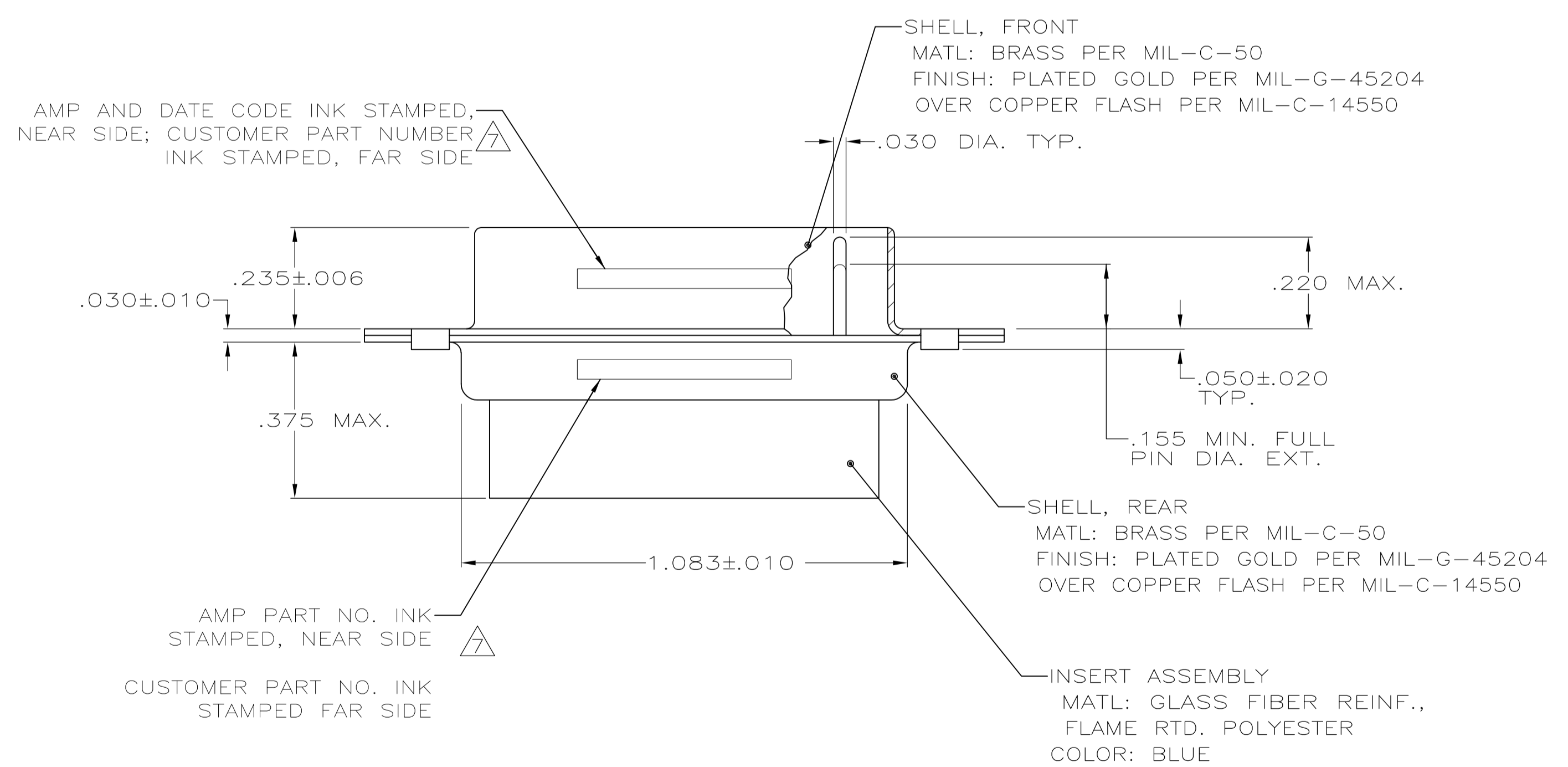


- △ THIS PLUG WILL MATE WITH ANY RECEPTACLE CONNECTOR WITH THE SAME INSERT ARRANGEMENT AS DEFINED BY MS18274-1.
- 2. MAXIMUM WIRE INSULATION TO BE USED WITH THIS PLUG IS .072 [1.83] DIA.
- 3. BERYLLIUM COPPER RETENTION CLIPS (15) ARE INCLUDED IN INSERT ASSEMBLY.
- 4. CONNECTOR SUPPLIED WITHOUT CONTACTS; SHOWN FOR ILLUSTRATION ONLY.
- △ THESE CONNECTORS ARE QUALIFIED TO GODDARD SPACE FLIGHT CENTER SPECIFICATION S-311-P-4.
- △ UL/CSA DESIGNATION STAMPED IN THIS AREA, OPTIONAL.
- △ CUSTOMER PART NUMBER MAY BE SPLIT BETWEEN FRONT AND REAR SHELL, SAME SIDE. FAR SIDE REFERS TO WIDE SIDE OF KEYSTONE, NEAR SIDE REFERS TO NARROW SIDE OF KEYSTONE.
- △ RESTRICTED TO CAE ELECTRONICS ONLY.
- △ CONTACTS FOR 206798-8 ARE UNASSEMBLED.



CONTACT P/N 205089-1  
 (MIL-39029/64-369) △  
 (SUPPLIED WITH 206798-8 ONLY)  
 QTY = 15



OBSOLETE	△ 5 △ 9	.120	570513-7	206798-9	206798-9
	△ 8 △ 5	.120	B41-P10009-0013	206798-8	206798-8
		.120	311P409-2P-B-12	206798-2	206798-7
		.120	122137P15P	206798-6	206798-6
		.120	2A014-002V-001	206798-4	206798-4
		.154	-	206798-3	206798-3
	△ 5	.120	311P409-2P-B-12	206798-2	206798-2
	△ 5	.154	311P409-2P-B-15	206798-1	206798-1
REMARKS	DIA A	INK STAMPED CUSTOMER P/N	INK STAMPED AMP P/N	ASSEMBLY NUMBER	

THIS DRAWING IS A CONTROLLED DOCUMENT.

DIMENSIONS: INCHES	TOLERANCES UNLESS OTHERWISE SPECIFIED:	DWG: TWIEST 12-9-88	CHK: A EMADI 12-11-88	APVD: -	NAME: -	PRODUCT SPEC: -	APPLICATION SPEC: -	SIZE: A1	CAGE CODE: 00779	DRAWING NO: 206798	RESTRICTED TO: -
MATERIAL: SEE CALLOUTS	FINISH: SEE CALLOUTS	WEIGHT: -	CUSTOMER DRAWING	SCALE: 4:1	SHEET: 1 OF 1	REV: -					

Tyco Electronics Corporation  
 Harrisburg, PA 17105-3608

PLUG FOR PIN CONTACTS  
 SERIES 109, SIZE 2  
 15 POSITION